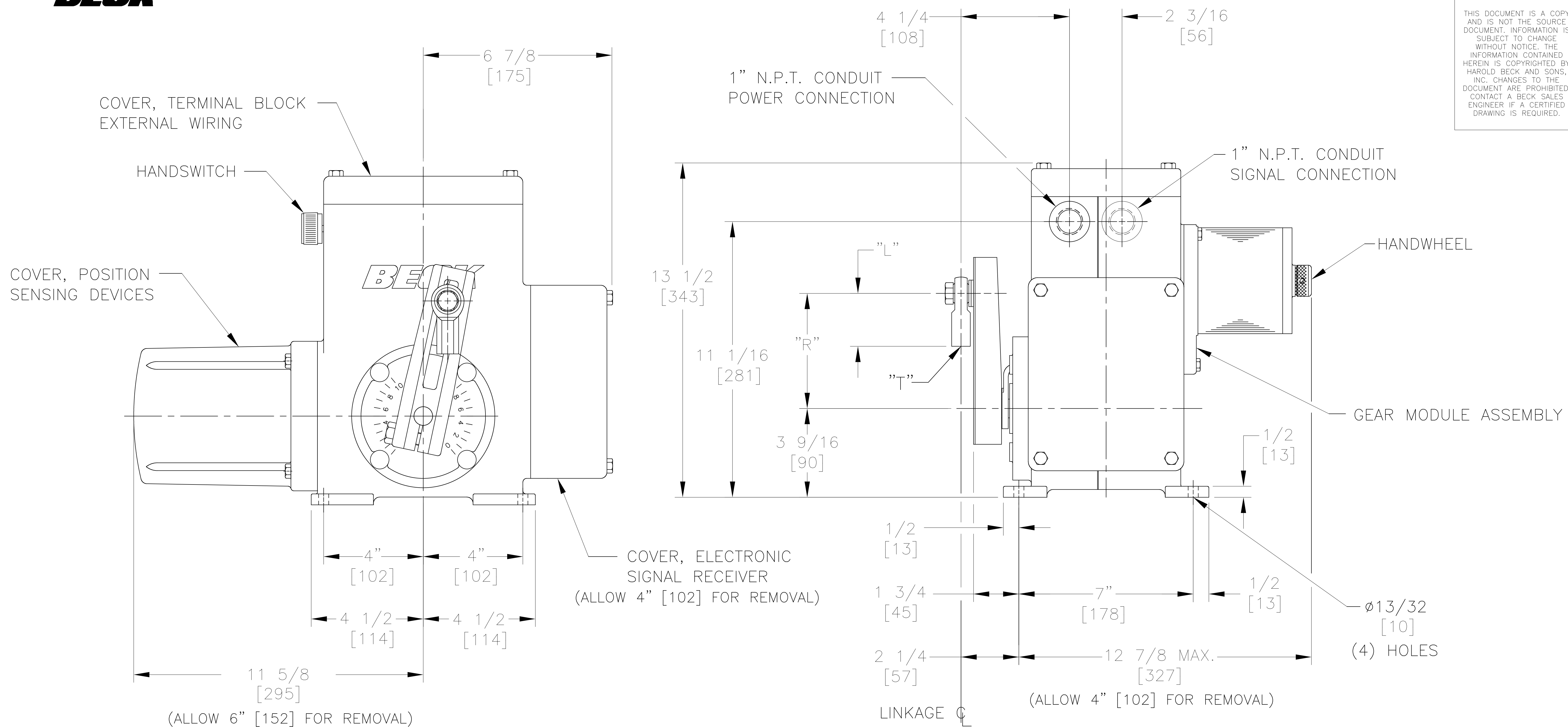


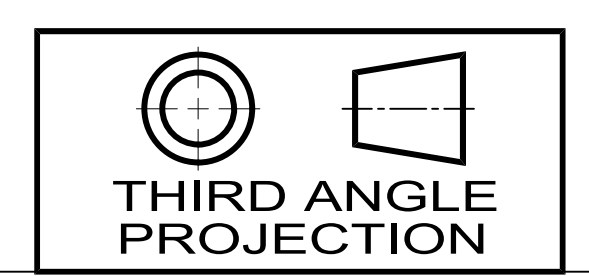
THIS DOCUMENT IS A COPY AND IS NOT THE SOURCE DOCUMENT. INFORMATION IS SUBJECT TO CHANGE WITHOUT NOTICE. THE INFORMATION CONTAINED HEREIN IS COPYRIGHTED BY HAROLD BECK AND SONS, INC. CHANGES TO THE DOCUMENT ARE PROHIBITED. CONTACT A BECK SALES ENGINEER IF A CERTIFIED DRAWING IS REQUIRED.



BECK DRIVE MODEL NO.	TORQUE RANGE	APPROX. WEIGHT	OUTPUT SHAFT DIA.	CRANKARM & SWIVEL SUPPLIED AS STANDARD				MAXIMUM OVERHUNG LOAD
				CRANKARM PART NO.	CRANKARM RADIUS (ADJUSTABLE) "R" DIM.	SWIVEL LENGTH "L" DIM.	SWIVEL INTERNAL THREAD "T" DIM.	
11-150	15 TO 120 LB.-FT. 20 TO 163 Nm	50 LBS. 23 KGS.	3/4 [19]	10-3491-05	1-1/2 TO 5-1/8 [38 TO 130]	2-1/8 [54]	1/2-20 X 1-3/16 [30]	750 LBS. 340 KGS.

RECOMMENDED SCREW TORQUES

	SIZE (IN.)	TORQUE (LB-FT)	TORQUE (Nm)
CRANK ARM SCREW	1/2-13	75	102
ROD END SCREW	1/2-13	35	47
ROD END LOCK NUT	1/2-13	55	75
COVER SCREWS	5/16-18	10	14
MOTOR/GEAR MODULE SCREWS	1/4-20	6	8
BODY SCREWS	5/16-18	10	14
BODY SCREWS	3/8-16	20	27



TOLERANCES:
 OUTLINE DIMENSIONS ±1/4 [±6]
 MOUNTING DIMENSIONS ±1/16 [±2]

ALL DIMENSIONS ARE IN INCHES AND [MM] UNLESS OTHERWISE SPECIFIED.
 THREADS AND TAPPED HOLES ARE SPECIFIED AS UNIFIED THREAD SIZES ONLY.
 CONDUIT PIPE THREADS PER AMERICAN NATIONAL STANDARD TAPER PIPE THREADS (N.P.T.)

HAROLD BECK & SONS INC
 NEWTOWN INDUSTRIAL COMMONS NEWTOWN, PENNSYLVANIA 18940 USA

TITLE: **OUTLINE DIMENSIONS BECK 11-150 DRIVE**

DRAWN: GMD 7/30/14	SCALE: NONE	DRAWING NO: 18-0150-01o	REV: J
CHECKED: DMS 8/11/14			
APPROVED: HHS 8/12/14		SHEET NO. 1 OF 1	