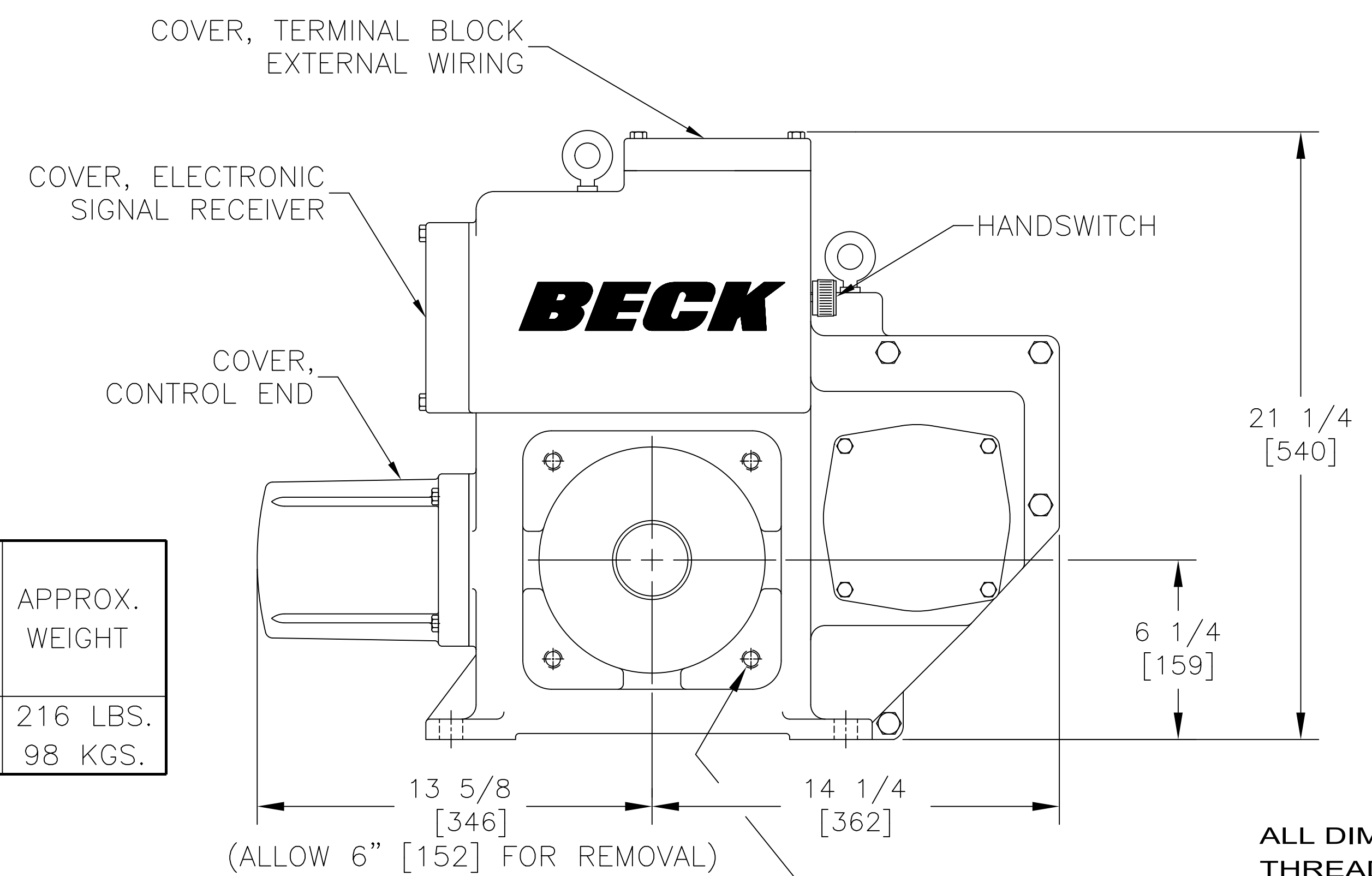
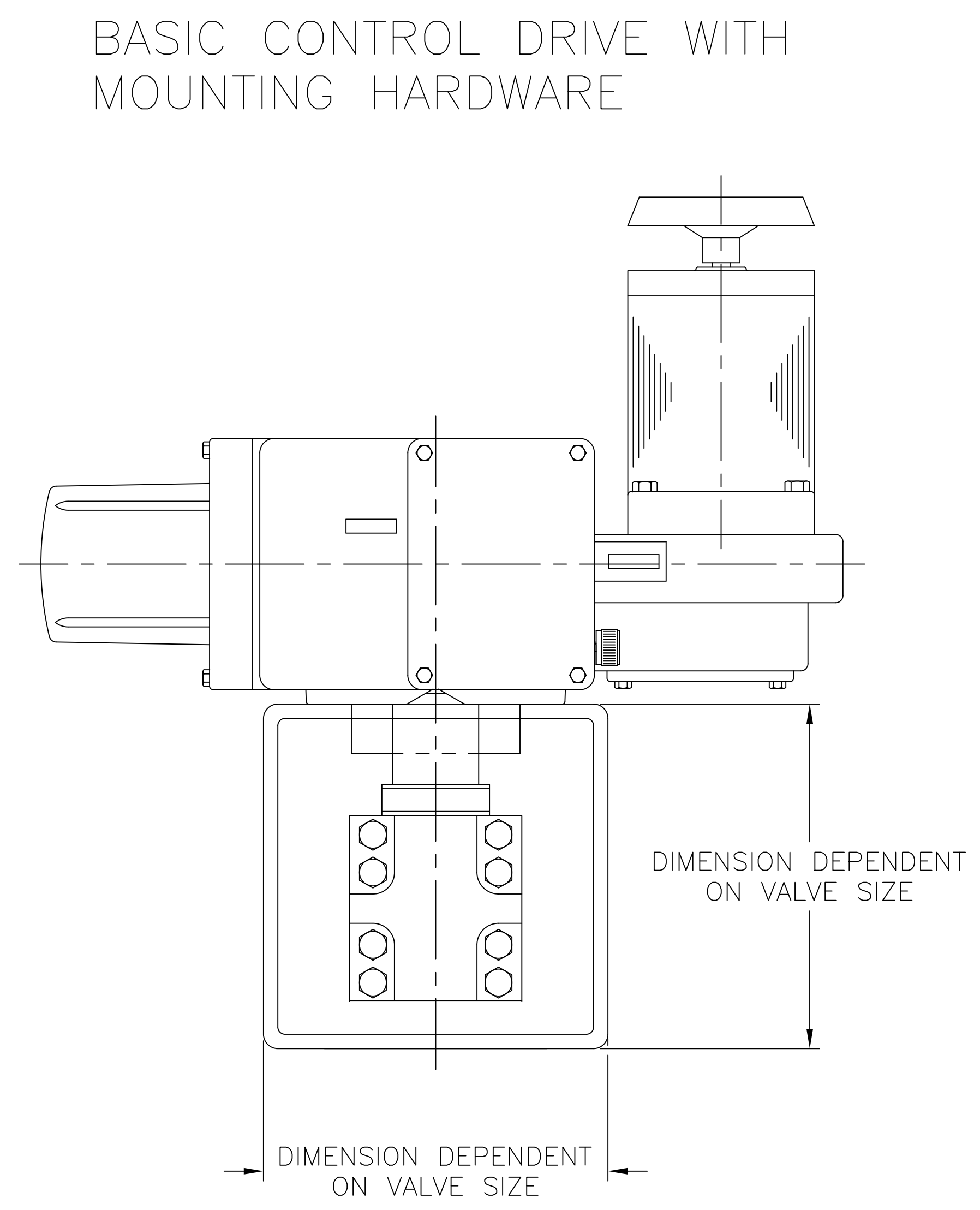
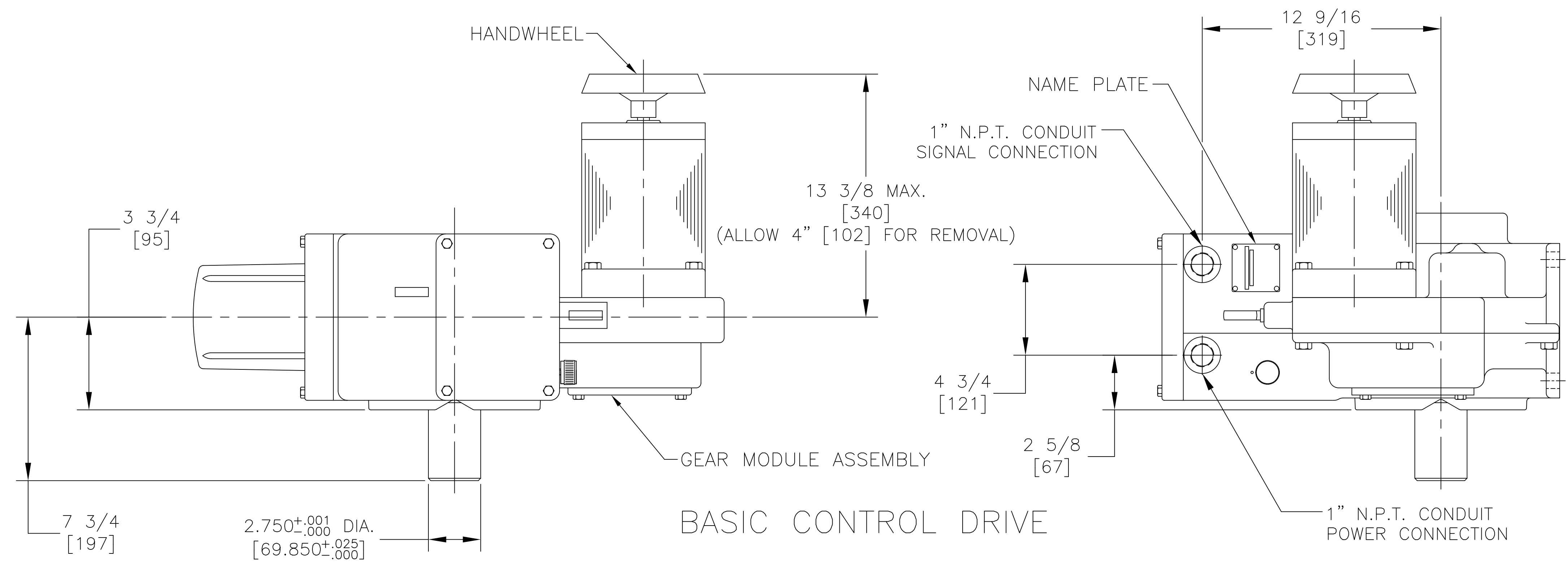


THIS DOCUMENT IS A COPY AND IS NOT THE SOURCE DOCUMENT. INFORMATION IS SUBJECT TO CHANGE WITHOUT NOTICE. THE INFORMATION CONTAINED HEREIN IS COPYRIGHTED BY HAROLD BECK AND SONS, INC. CHANGES TO THE DOCUMENT ARE PROHIBITED. CONTACT A BECK SALES ENGINEER IF A CERTIFIED DRAWING IS REQUIRED.



BECK DRIVE MODEL NO.	TORQUE RANGE	APPROX. WEIGHT
11-460	350 TO 1800 LB.-FT. 475 TO 2440 Nm	216 LBS. 98 KGS.

TOLERANCES:
 OUTLINE DIMENSIONS ±1/4 [±6]
 MOUNTING DIMENSIONS ±1/16 [±2]

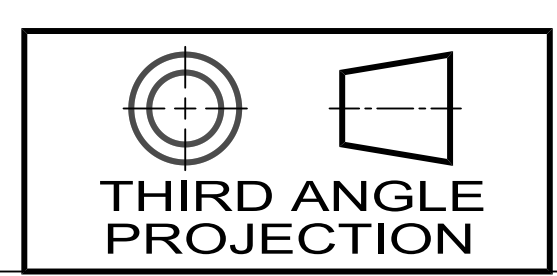
**ALL DIMENSIONS ARE IN INCHES AND [MM] UNLESS OTHERWISE SPECIFIED.
 THREADS AND TAPPED HOLES ARE SPECIFIED AS UNIFIED THREAD SIZES ONLY.
 CONDUIT PIPE THREADS PER AMERICAN NATIONAL STANDARD TAPER PIPE THREADS (N.P.T.)**

RECOMMENDED SCREW TORQUES			
	SIZE (IN.)	TORQUE (LB-FT)	TORQUE (Nm)
COVER SCREWS	5/16-18	10	14
GEAR MODULE SCREWS	5/16-18	10	14
MOTOR SCREWS	3/8-16	16	22
BODY SCREWS	3/8-16	20	27
BODY SCREWS	1/2-13	50	68
CONTROL END COVER SCREWS	5/16-18	10	14
COUPLING SCREWS	5/8-18	170*	230*
MOUNTING BRACKET SCREWS	5/8-11	100	136

MOUNTING HOLES
 5/8-11 UNC-2B X 1 5/8 [41] DEEP
 (4) HOLES EQUALLY SPACED
 ON A 9.750 [248] DIA. B.C.

*MAY VARY PER APPLICATION. REFER TO VALVE MOUNTING SPECIFICATION SHEET SHIPPED WITH YOUR DRIVE.

18-0460-01o



HAROLD BECK & SONS INC
 NEWTOWN INDUSTRIAL COMMONS NEWTOWN, PENNSYLVANIA 18940 USA

TITLE: **OUTLINE DIMENSIONS BECK 11-460 DRIVE**

DRAWN: DWK 11-6-07	SCALE: NONE	DRAWING NO: 18-0460-01o	REV: D
CHECKED: GMD 11-9-07			
APPROVED: JHM 11-12-07		SHEET NO. 1 OF 1	