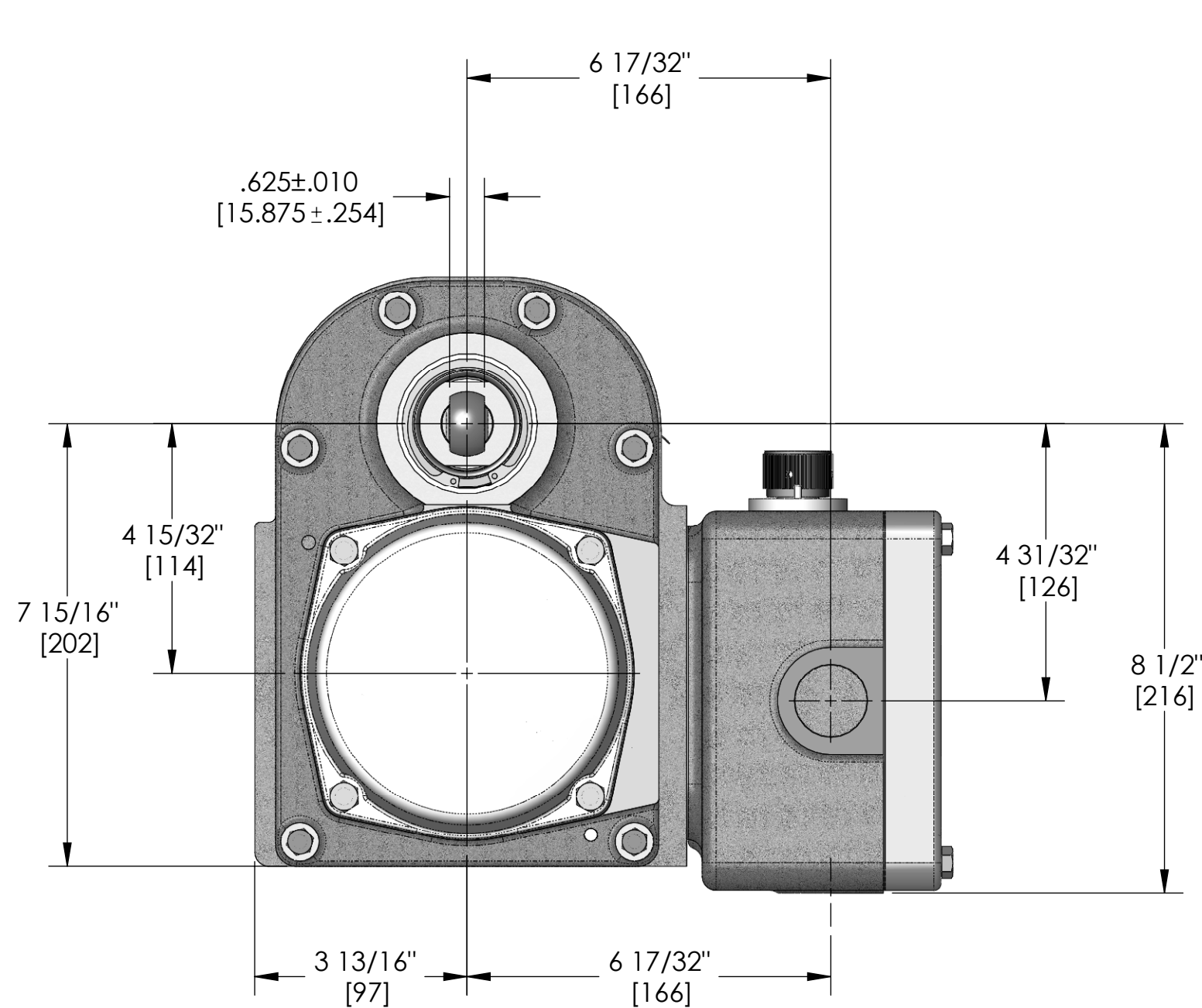
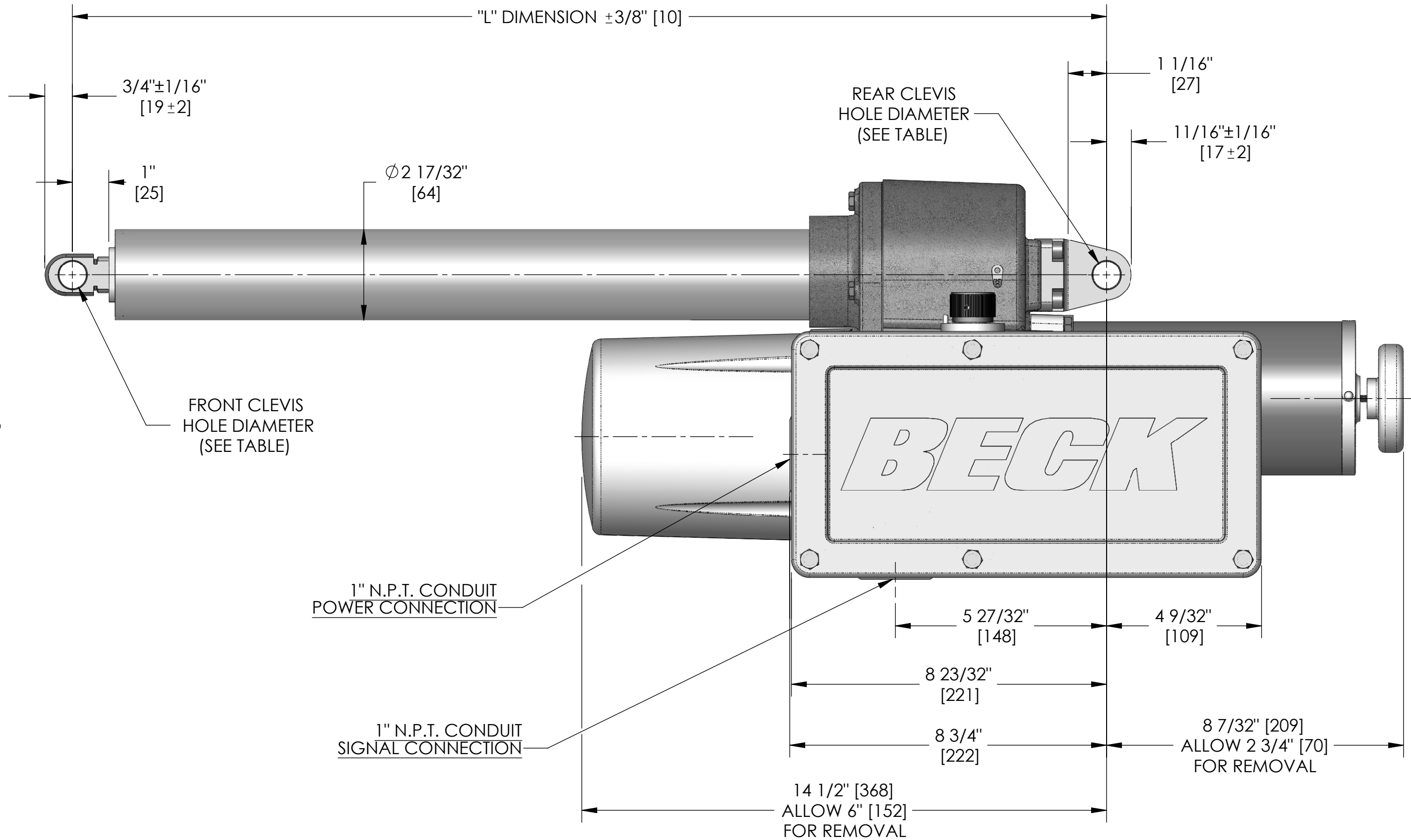


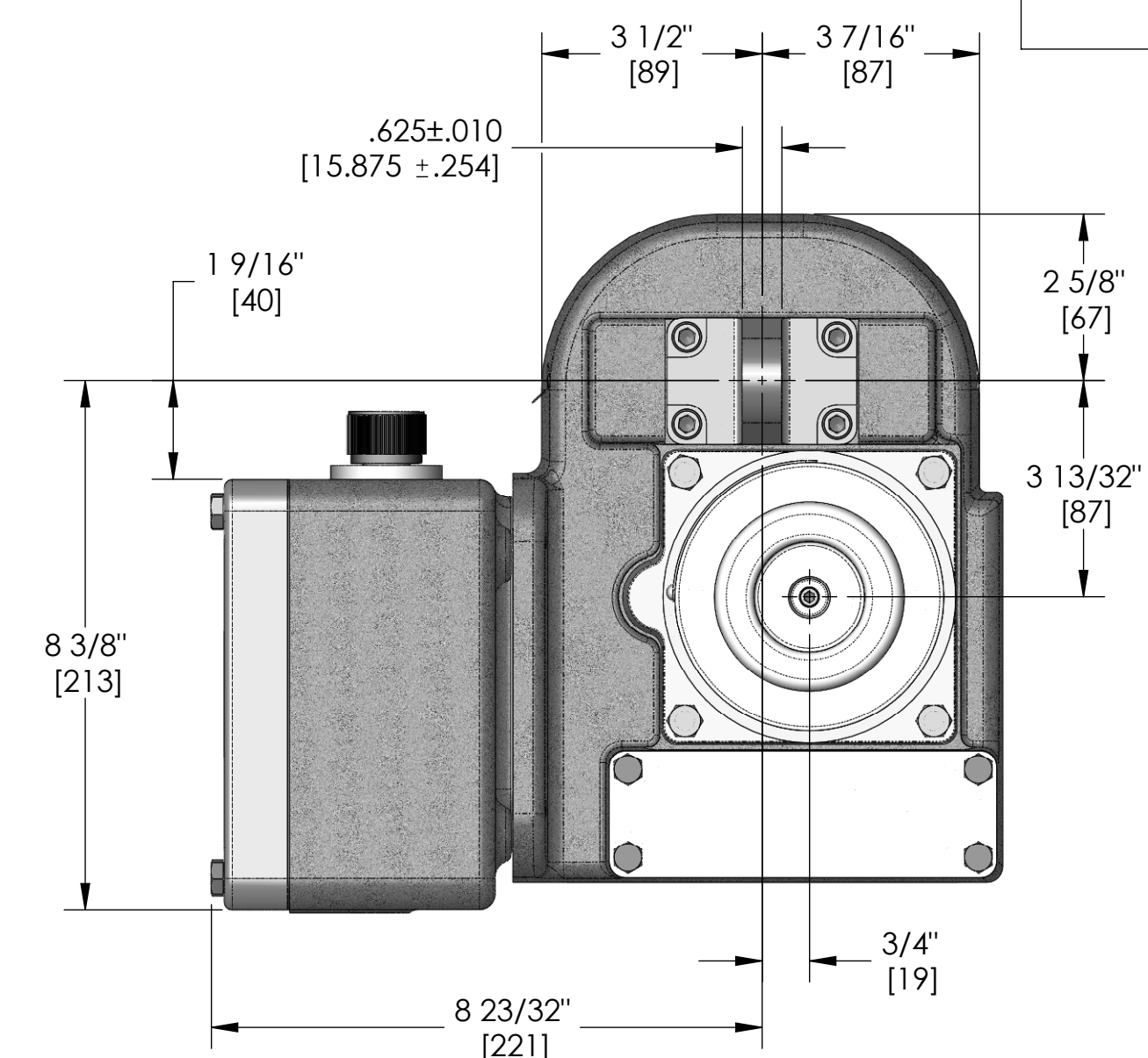
THIS DOCUMENT IS A COPY AND IS NOT THE SOURCE DOCUMENT. INFORMATION IS SUBJECT TO CHANGE WITHOUT NOTICE. THE INFORMATION CONTAINED HEREIN IS COPYRIGHTED BY HAROLD BECK AND SONS, INC. CHANGES TO THE DOCUMENT ARE PROHIBITED. CONTACT A BECK SALES ENGINEER IF A CERTIFIED DRAWING IS REQUIRED.



FRONT VIEW



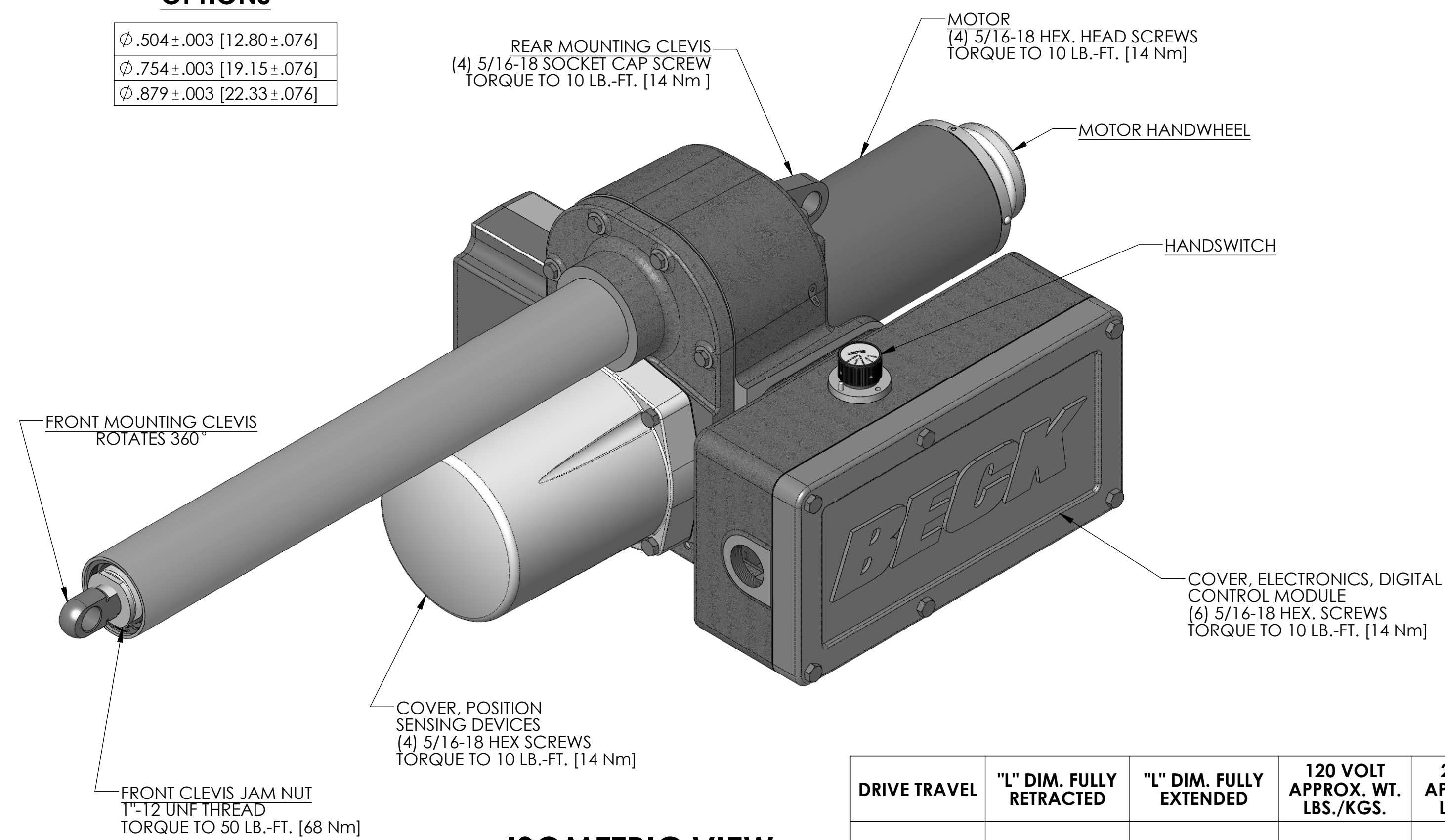
RIGHT SIDE VIEW



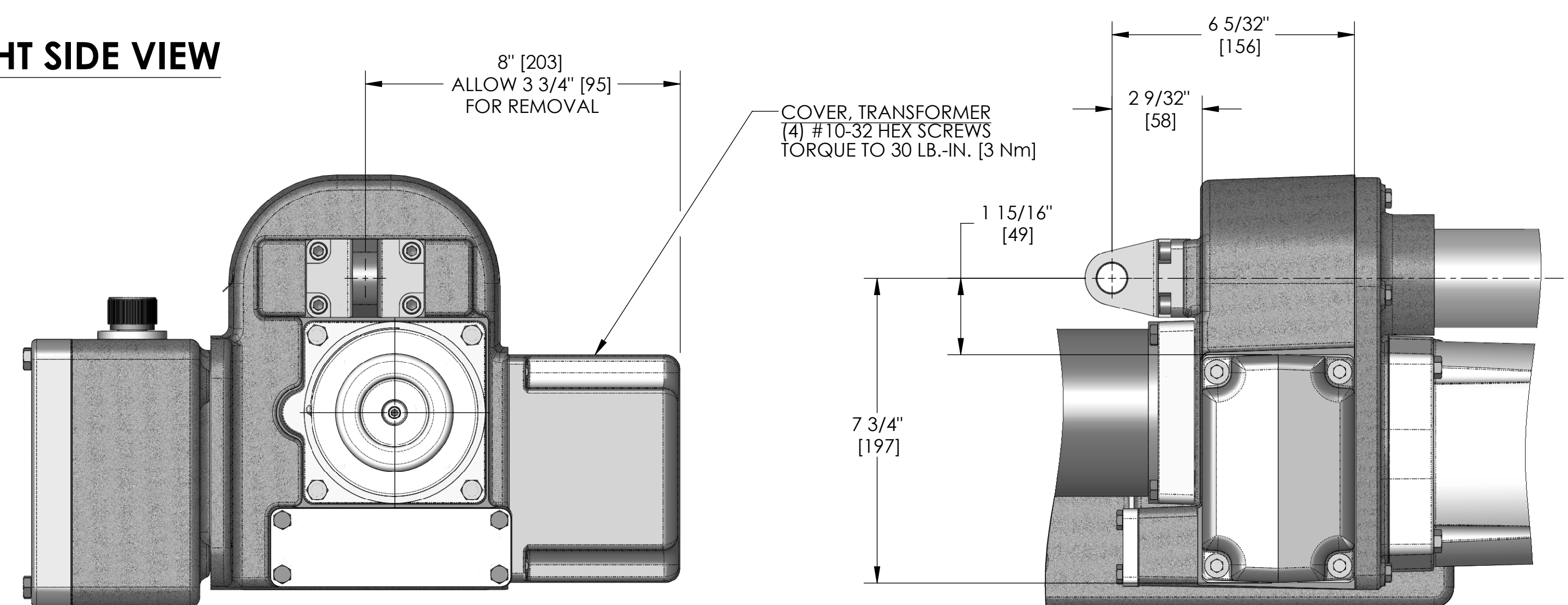
REAR VIEW

FRONT AND REAR CLEVIS HOLE DIAMETER OPTIONS

Ø .504 ± .003 [12.80 ± .076]
Ø .754 ± .003 [19.15 ± .076]
Ø .879 ± .003 [22.33 ± .076]



ISOMETRIC VIEW

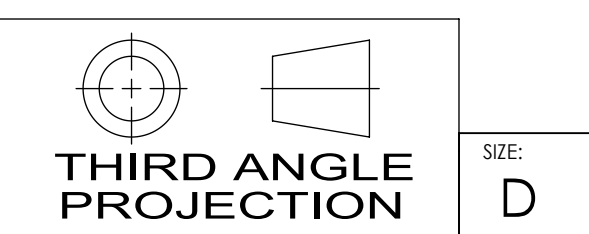


240 VOLT POWER VERSION REAR & PARTIAL LEFT SIDE VIEW

DRIVE TRAVEL	"L" DIM. FULLY RETRACTED	"L" DIM. FULLY EXTENDED	120 VOLT APPROX. WT. LBS./KGS.	240 VOLT APPROX. WT. LBS./KGS.
8" [203]	18 19/32" [472]	26 19/32" [675]	75/34	84/38
12" [305]	22 19/32" [574]	34 19/32" [879]	77/35	86/39
18" [457]	28 19/32" [726]	46 19/32" [1183]	80/36	89/40

NOTES:

1. ALL DIMENSIONS ARE FOR 120V POWER VERSION UNLESS OTHERWISE SPECIFIED.
2. TOLERANCE - ±1/4 [±6] UNLESS OTHERWISE SPECIFIED.
3. ALL DIMENSIONS ARE IN INCHES AND [MM] UNLESS OTHERWISE SPECIFIED. THREADS AND TAPPED HOLES ARE SPECIFIED AS UNIFIED THREAD SIZES ONLY. CONDUIT PIPE THREADS PER AMERICAN NATIONAL STANDARD TAPER PIPE THREADS (N.P.T.)



HAROLD BECK & SONS INC.			
NEWTOWN INDUSTRIAL COMMONS NEWTOWN, PENNSYLVANIA 18940 USA			
TITLE: OUTLINE DIMENSIONS BECK GROUP 42 DRIVE 42-109			
DRAWN: DMS 6-5-12	SCALE: NONE	DRAWING NO: 18-4219-01o	REV: F
CHECKED: GMD 6-6-12			
APPROVED: HHS 6-6-12		SHEET NO. 1 OF 1	