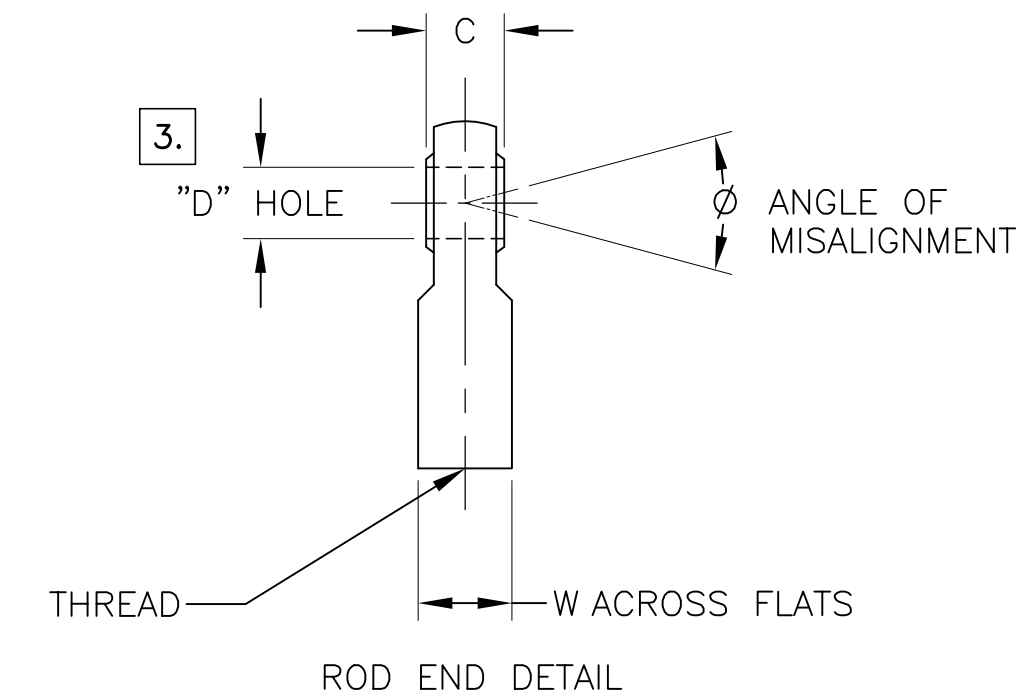
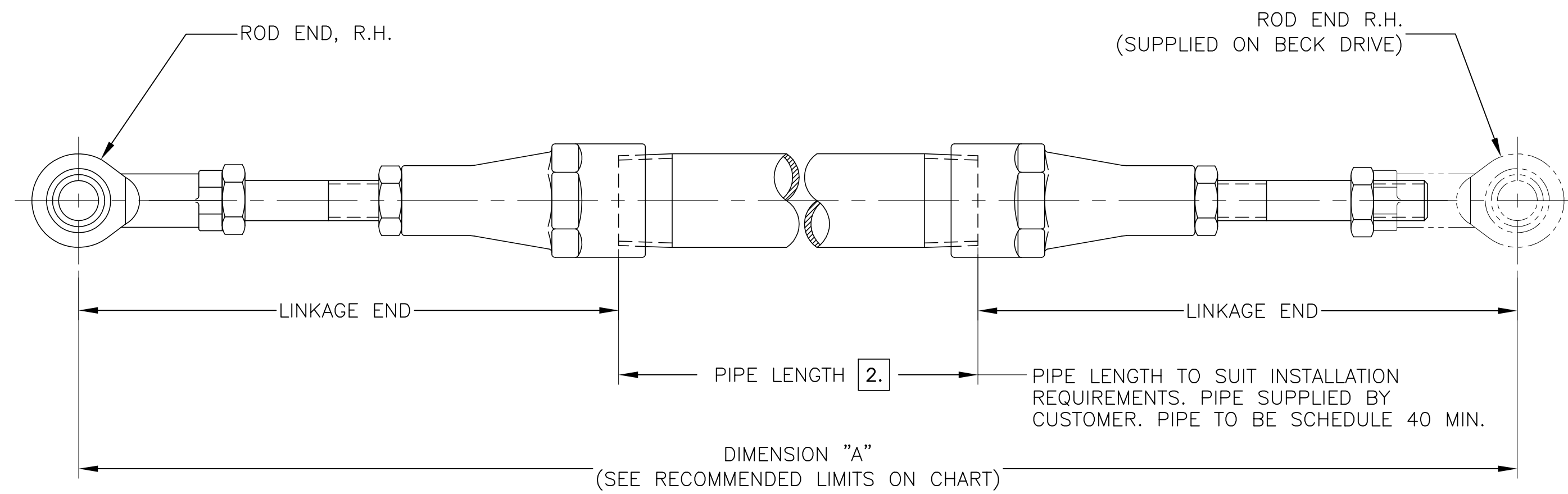


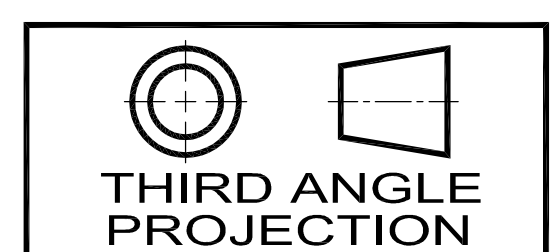
THIS DOCUMENT IS A COPY AND IS NOT THE SOURCE DOCUMENT. INFORMATION IS SUBJECT TO CHANGE WITHOUT NOTICE. THE INFORMATION CONTAINED HEREIN IS COPYRIGHTED BY HAROLD BECK AND SONS, INC. CHANGES TO THE DOCUMENT ARE PROHIBITED. CONTACT A BECK SALES ENGINEER IF A CERTIFIED DRAWING IS REQUIRED.



BECK DRIVE MODEL NUMBER	ROD END THREAD	LINKAGE LENGTH RANGE "A" 1.	BECK PIPE LINKAGE KIT PART NUMBER	PIPE SIZE & NPT THREAD	MIN. PIPE NIPPLE LENGTH	APPROX. WEIGHT LBS. [KGS.]	LENGTH OF 2 LINKAGE ENDS 2.	ROD END DATA					
								C	"D" HOLE	Ø	W	P/N	
11-150	1/2-20	22 [558.8]-84 [2133.6]	20-1730-05	1	1 1/2 [38.10]	5 [2.3]	20 1/2 [520.7]	.625	.500	12°	.750	12-2840-02	
		31 [787.4]-120 [3048.0]	20-1740-06	1 1/2	1 3/4 [44.45]	9 [4.1]	29 1/4 [743.0]	[15.875]	[12.700]	[19.050]			
11-200	1/2-20	22 [558.8]-45 [1143.0]	20-1730-05	1	1 1/2 [38.10]	5 [2.3]	20 1/2 [520.7]	.625	.500	12°	.750	12-2840-02	
		31 [787.4]-84 [2133.6]	20-1740-06	1 1/2	1 3/4 [44.45]	9 [4.1]	29 1/4 [743.0]						
		33 1/4 [844.6]-120 [3048.0]	20-1750-05	2	2 [50.80]	13 [5.9]	31 1/4 [793.8]						
		37 [939.8]-120 [3048.0]	20-1760-05	2 1/2	2 1/2 [63.50]	22 [10.0]	34 1/2 [876.3]						
11-300	5/8-18	22 1/2 [571.5]-36 [914.4]	20-1730-06	1	1 1/2 [38.10]	5 [2.3]	21 [533.4]	.750	.625	16°	.875	12-2840-03	
		31 1/2 [800.1]-72 [1828.8]	20-1740-07	1 1/2	1 3/4 [44.45]	9 [4.1]	29 3/4 [755.7]						
		33 3/4 [857.3]-96 [2438.4]	20-1750-06	2	2 [50.80]	13 [5.9]	31 3/4 [806.5]						
		37 1/2 [952.5]-120 [3048.0]	20-1760-06	2 1/2	2 1/2 [63.50]	22 [10.0]	35 [889.0]						
11-400	3/4-16	23 1/4 [590.6]-34 [863.6]	20-1730-07	1	1 1/2 [38.10]	5 [2.3]	21 3/4 [552.5]	.875	.750	14°	1.000	12-2840-04	
		32 1/4 [819.2]-48 [1219.2]	20-1740-08	1 1/2	1 3/4 [44.45]	9 [4.1]	30 1/2 [774.7]						
		34 1/2 [876.3]-72 [1828.8]	20-1750-07	2	2 [50.80]	13 [5.9]	32 1/2 [825.5]						
		38 1/4 [971.6]-120 [3048.0]	20-1760-07	2 1/2	2 1/2 [63.50]	22 [10.0]	35 3/4 [908.1]						
11-420	1-1/4-12	35 3/4 [908.1]-120 [3048.0]	20-1760-08	2 1/2	2 1/2 [63.50]	27 [12.3]	33 1/4 [844.6]	1.375	1.000	14°	1.500		
11-430	1-1/2-12	23 1/2 [596.9]-40 [1016.0]	20-1760-13	2	2 [50.80]	28 [12.7]	21 1/2 [546.1]	1.312	1.500	6.5°	2.000	12-2840-14	
11-500		37 3/4 [958.9]-144 [3657.6]	20-1760-10	6.	3	2 5/8 [66.68]	32 [14.5]						35 1/8 [892.2]
11-600		59 3/4 [1517.7]-144 [3657.6]	20-1760-09	3	2 5/8 [66.68]	41 [18.6]	57 1/8 [1451.0]						
22-300													
22-400													
22-800													

NOTES:

- NOMINAL DIMENSIONS ARE SHOWN FOR THE LINKAGE LENGTH RANGES. LINKAGE LENGTHS ARE ADJUSTABLE ±1-1/2" [38] FOR ALL LENGTHS IN RANGE.
- TO DETERMINE PIPE LENGTH, SUBTRACT THE VALUE IN "LENGTH OF 2 LINKAGE ENDS" COLUMN FROM DESIRED LINKAGE LENGTH "A".
- TOLERANCE ON "D" HOLE MAY BE TIGHTER THAN STANDARD FASTENER BODY DIAMETER TOLERANCE. SELECT FASTENER TO FIT WITH MINIMUM CLEARANCE IN ROD END.
- ALL DIMENSIONS ARE IN INCHES AND [MM] UNLESS OTHERWISE SPECIFIED. THREADS AND TAPPED HOLES ARE SPECIFIED AS UNIFIED THREAD SIZES ONLY.
- SEE A.I.S.I. MANUAL, COLUMN LOADING SECTION, FOR DESIGN PARAMETERS.
- FOR 11-430 AND 11-600 APPLICATIONS WHEN THE ANGLE BETWEEN THE LINKAGE AND CRANK ARM IS LESS THAN 25°, USE LINKAGE KIT 20-1760-09 OR LINKAGE KIT 20-1760-13.



HAROLD BECK & SONS INC
NEWTOWN INDUSTRIAL COMMONS NEWTOWN, PENNSYLVANIA 18940 USA

TITLE:
**ASSEMBLY SELECTION CHART
 PIPE LINKAGE KIT**

DRAWN: DMS 11-20-07	SCALE: NONE	DRAWING NO: 18-9001-01o	REV: F
CHECKED: GMD 11-30-07		SHEET NO. 1 OF 1	
APPROVED: JHM 11-30-07			