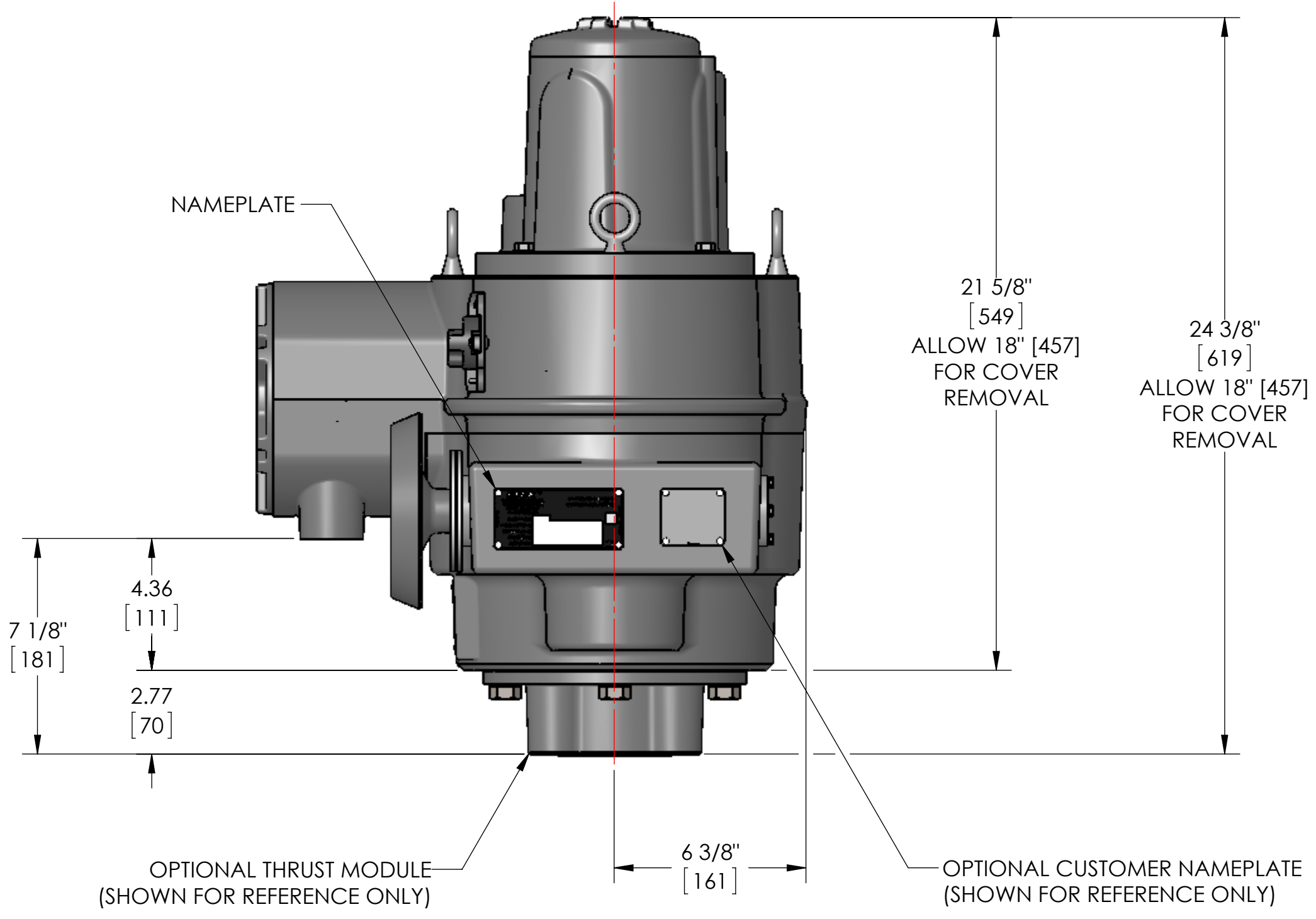
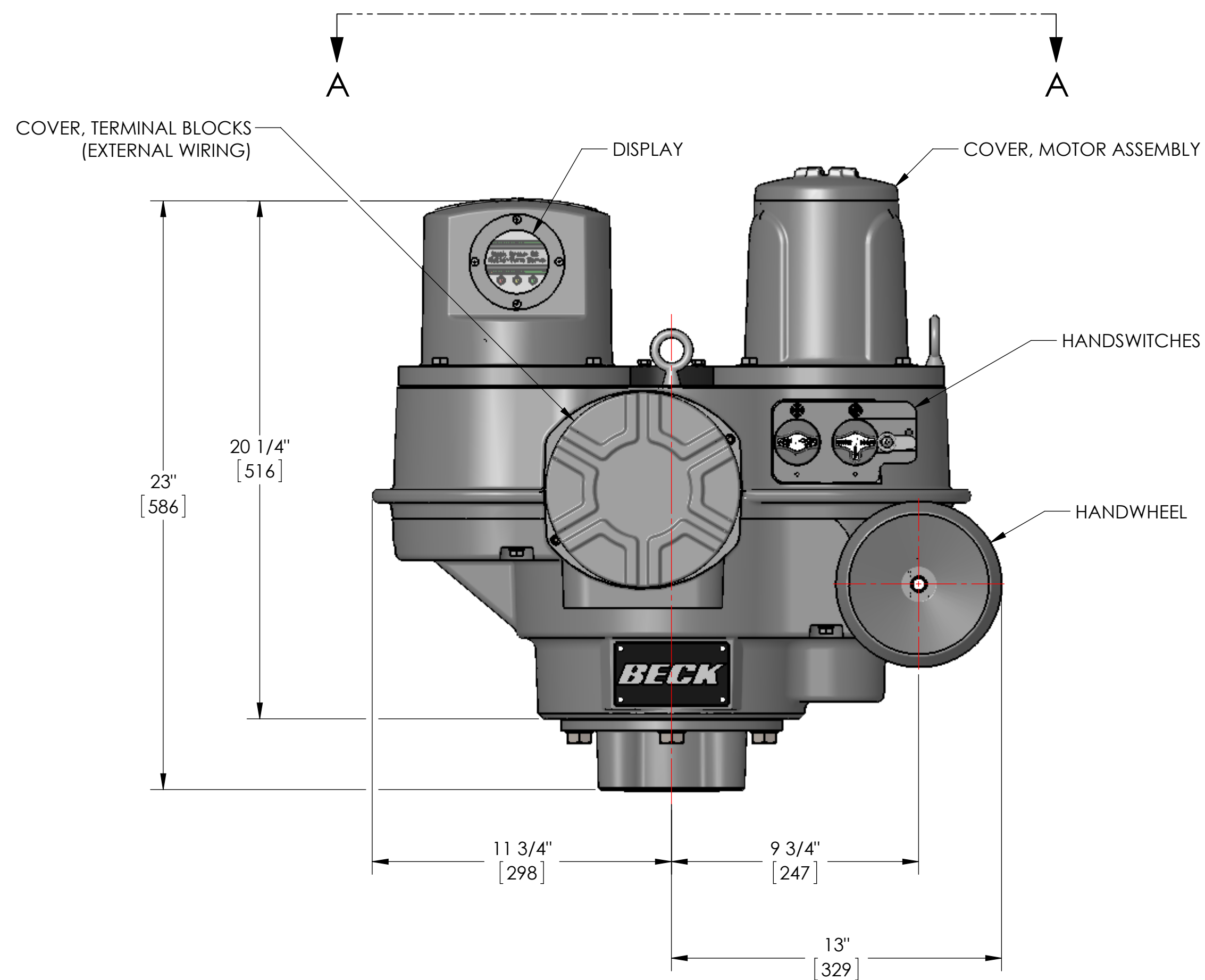


THIS DOCUMENT IS A COPY AND IS NOT THE SOURCE DOCUMENT. INFORMATION IS SUBJECT TO CHANGE WITHOUT NOTICE. THE INFORMATION CONTAINED HEREIN IS COPYRIGHTED BY HAROLD BECK AND SONS, INC. CHANGES TO THE DOCUMENT ARE PROHIBITED. CONTACT A BECK SALES ENGINEER IF A CERTIFIED DRAWING IS REQUIRED.

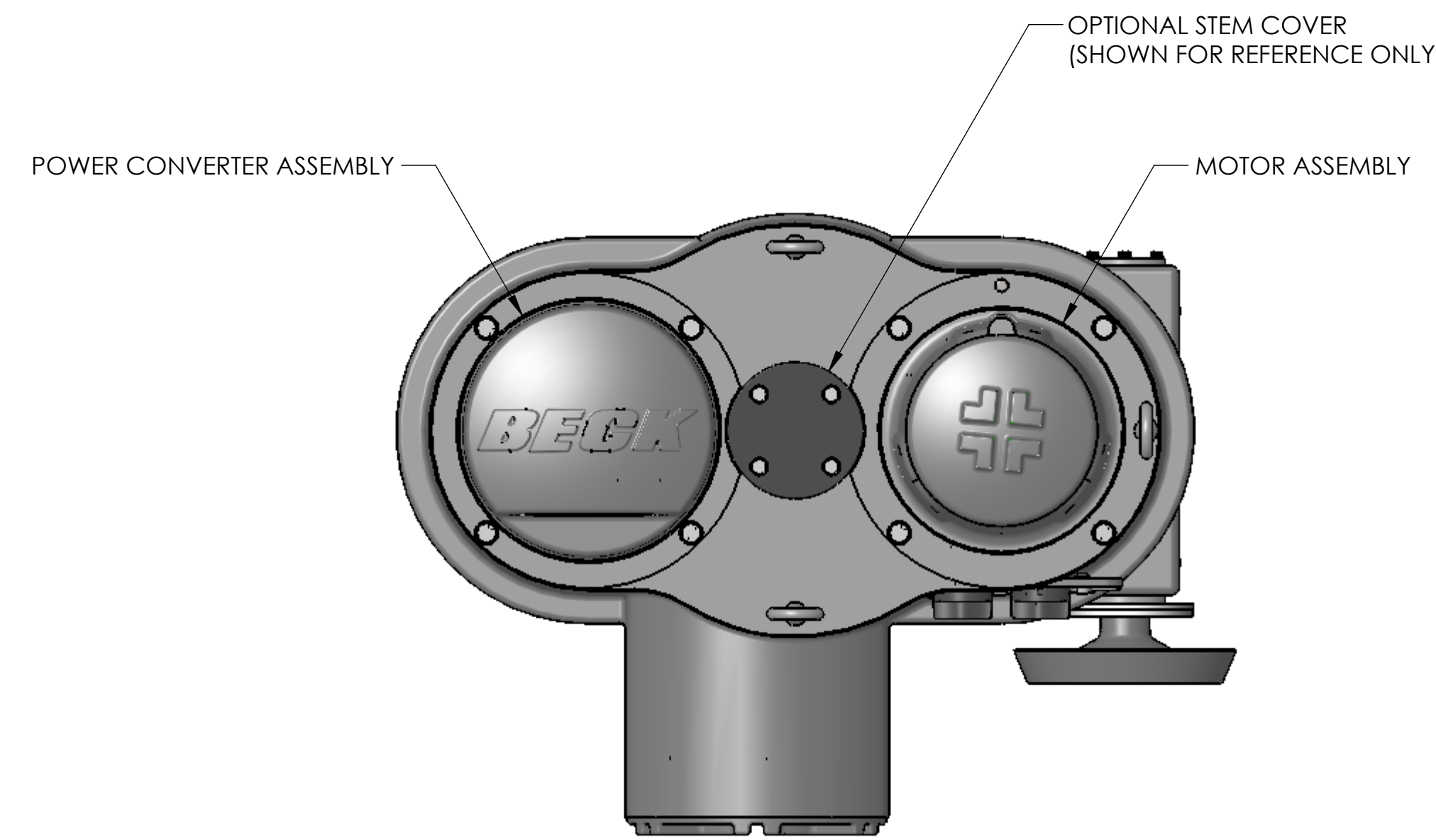
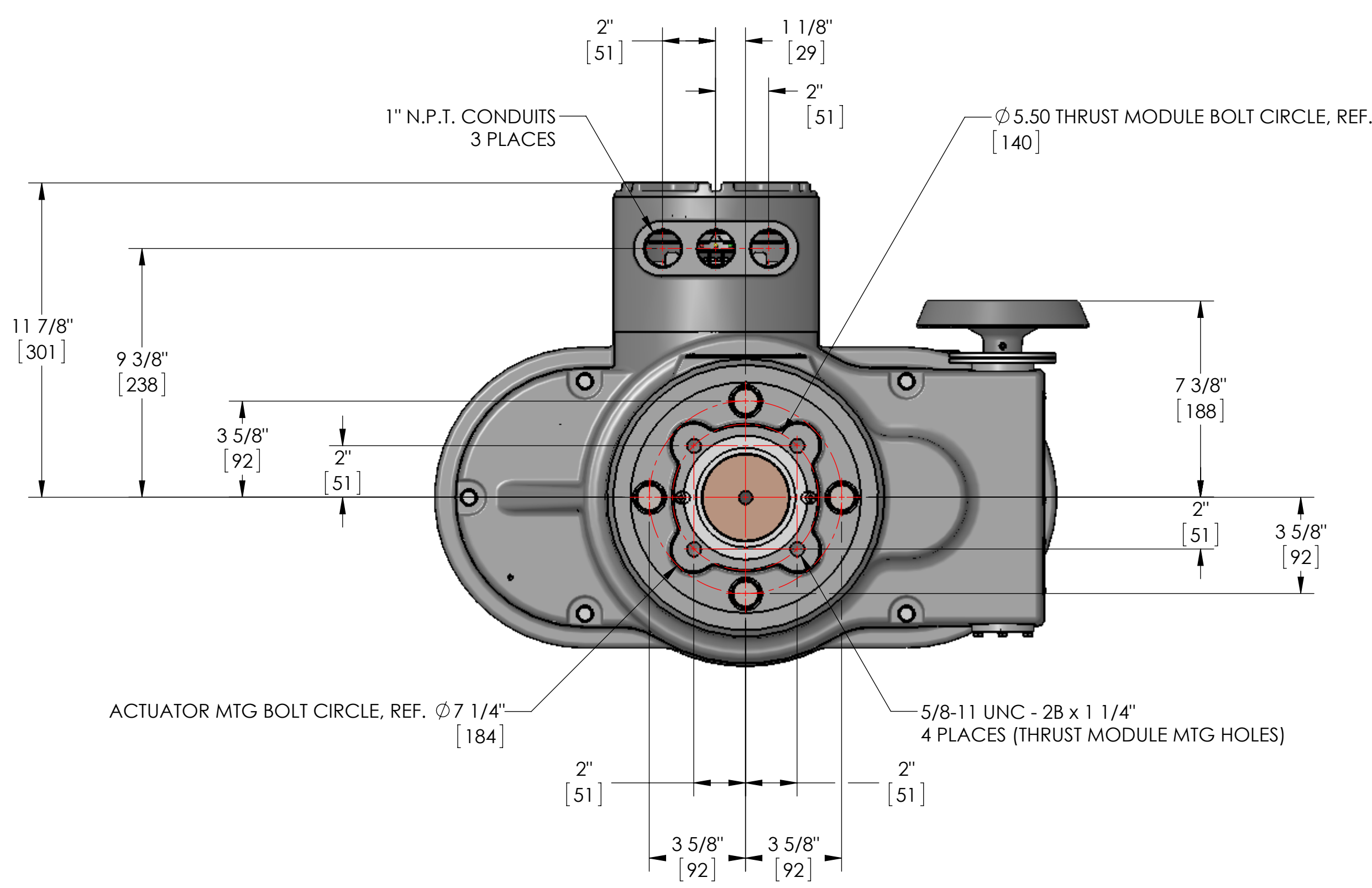


RECOMMENDED SCREW TORQUES			
DESCRIPTION	SIZE (IN.)	TORQUE (LB-FT)	TORQUE (Nm)
STEM COVER BRKT SCREWS	1/4-20	6	8.13
BODY SCREWS	5/16-18	11	14.91
COVER SCREWS	3/8-16	20	27.12
THRUST MODULE SCREWS	5/8-11	100	135.58

TOLERANCES:
 OUTLINE DIMENSIONS ±1/4 [±6]
 MOUNTING DIMENSIONS ±1/16 [±2]

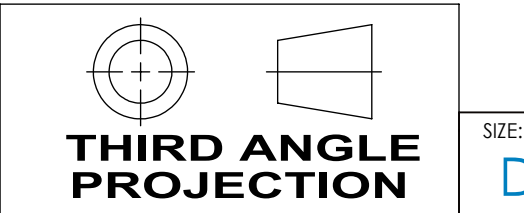
ALL DIMENSIONS ARE IN INCHES AND [MM] UNLESS OTHERWISE SPECIFIED. THREADS AND TAPPED HOLES ARE SPECIFIED AS UNIFIED THREAD SIZES ONLY. CONDUIT PIPE THREADS PER AMERICAN NATIONAL STANDARD TAPER PIPE THREADS (N.P.T.)

BECK ACTUATOR MODEL NO.	RATED TORQUE (EN17514)	APPROXIMATE WEIGHT	MAX STEM THREAD SIZE
88-200	250 LB-FT 339 Nm	180 LBS. 81.6 KGS	2"



VIEW A-A

18-8820-00o



HAROLD BECK & SONS INC.
 NEWTOWN INDUSTRIAL COMMONS NEWTOWN, PENNSYLVANIA 18940 USA

TITLE:
**OUTLINE DIMENSIONS,
 BECK GROUP 88 ACTUATOR,
 88-200**

DRAWN: RRB 07/08/20	SCALE: 1:4	DRAWING NO.:	REV:
CHECKED: JMJ 07/09/20		18-8820-00o	B
APPROVED: FWB 07/09/20		SHEET NO. 1 OF 1	